

Double Contact Candelabra Bayonet

12 SERIES

- DOUBLE CONTACT CANDELABRA BAYONET NON-GROUNDED LAMPHOLDERS
- 6" WIRE LEADS • ZINC PLATED STEEL SHELL
- MAXIMUM RATING: 75 WATTS, 125 VOLTS
- UL AND CSA LISTED • UL FILE E20356 • CSA FILE LR 15284-2

Overview

The 12 Series lampholders are constructed with a zinc plated steel shell, with two brass contacts mounted on a phenolic-insulating disc and two 6" wire leads. The bracket and shell are grounded independent of the contacts. Lampholders are designed for use with double contact candelabra bayonet lamps.

Specifications

Shell: zinc plated steel.

Custom shells also available:

Double contact indexed shell: add **-DX** to end of part number. For example, **12-207** changes to **12-207-DX** for indexed shell. Shell is only available in zinc plated steel.

Brass shell: add **-BR** to the end of a part number. For example, **12-207** changes to **12-207-BR** for brass shell.

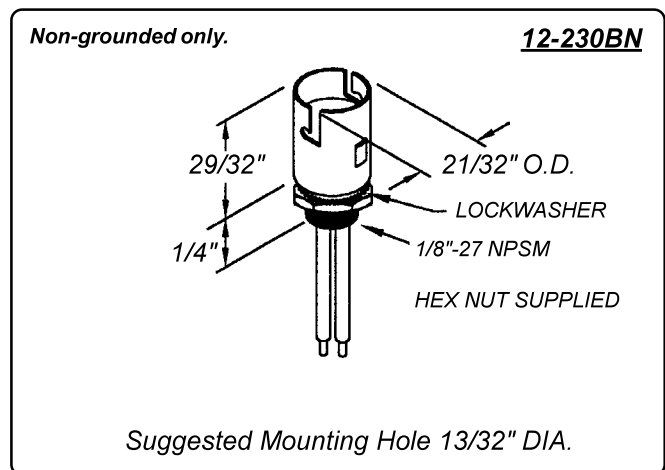
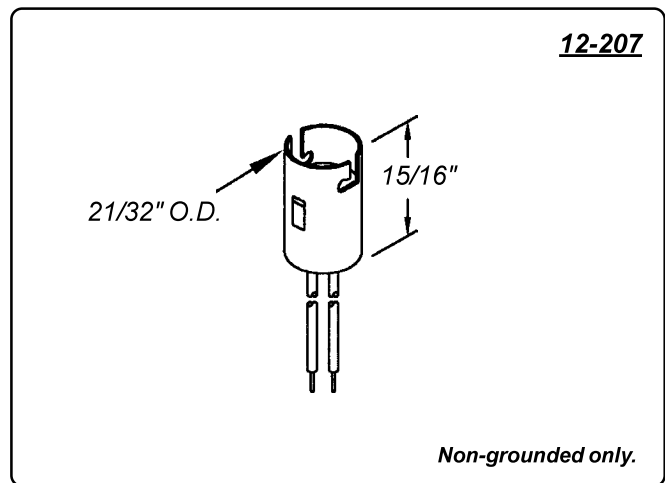
Center contacts: nickel plated brass supplied with phenolic insulating disc. A custom ceramic insulating disc is also available.

Spring: zinc plated steel. A custom stainless steel spring is also available.

Wire leads: 6" **Leads:** #18 AWG, black, bare copper, PVC insulated, UL/CSA rated 105° C, stripped 1/2". Non-grounded units are supplied with two 6" wire leads. Custom wire lengths, stripping, termination and wire types are also available.

Mounting: Brackets: 0.025" to 0.032" zinc plated steel. Custom brackets and plating types are available. **Plug buttons:** zinc plated steel for 15/16" mounting holes. **Threaded bushing:** for 13/32" mounting hole. Supplied with lockwasher and hex nut.

Maximum rating: 75 Watts, 125 Volts.



Can't find it here? We have many more standard and custom solutions

For further information, phone Customer Service at 800.522.5546.

Double Contact Candelabra Bayonet

12 SERIES

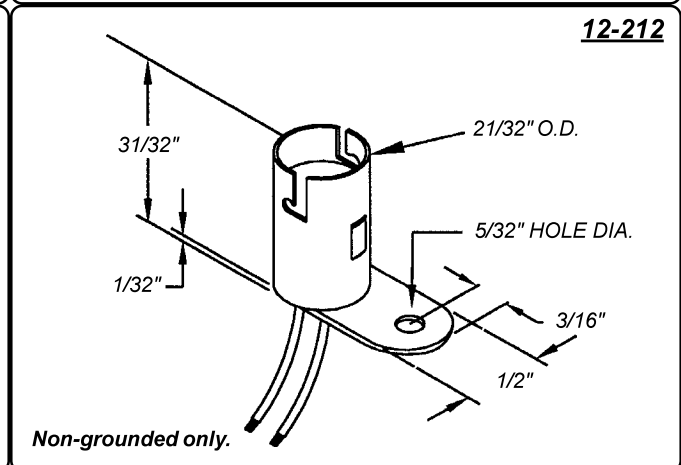
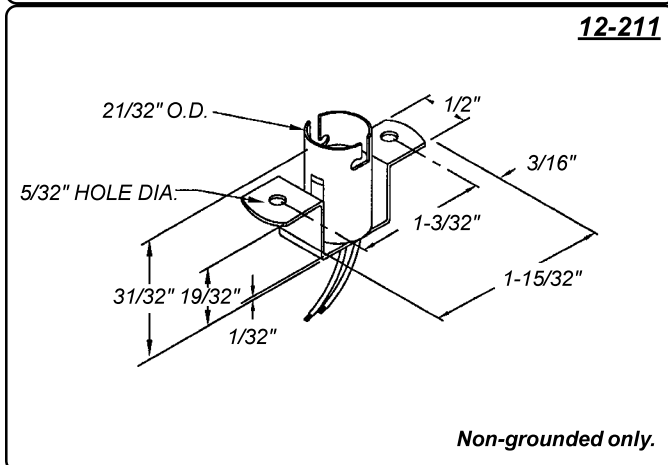
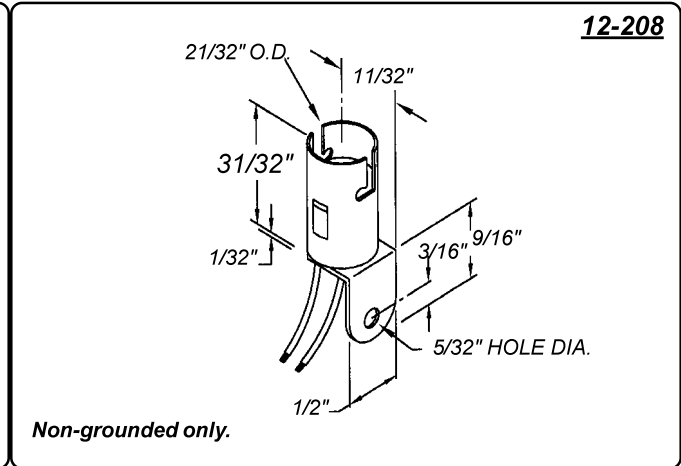
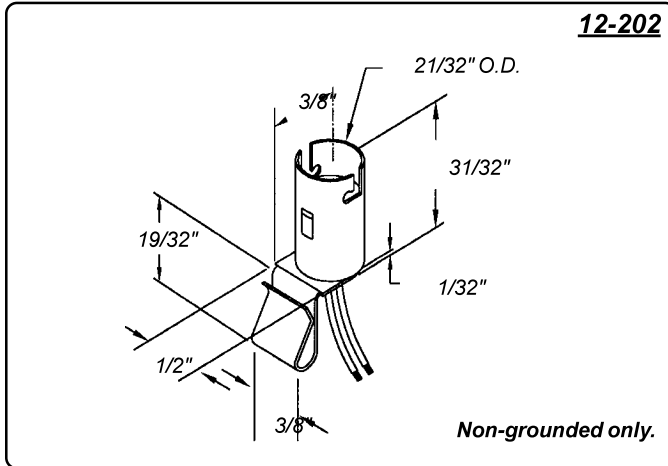
UL & CSA Listed

Maximum Rating: 75 Watts, 125 Volts

Zinc Plated Shell

Non-Grounded

6" Wire Leads



12-215
12-218
12-282

Non-grounded only.

Mounting Hole Diagram

Bracket No.	"A" Dimension
-15	1-5/32"
-18	1-13/32"
-82	15/16"

Maximum Panel Thickness .045"

Double Contact Candelabra Bayonet

12 SERIES

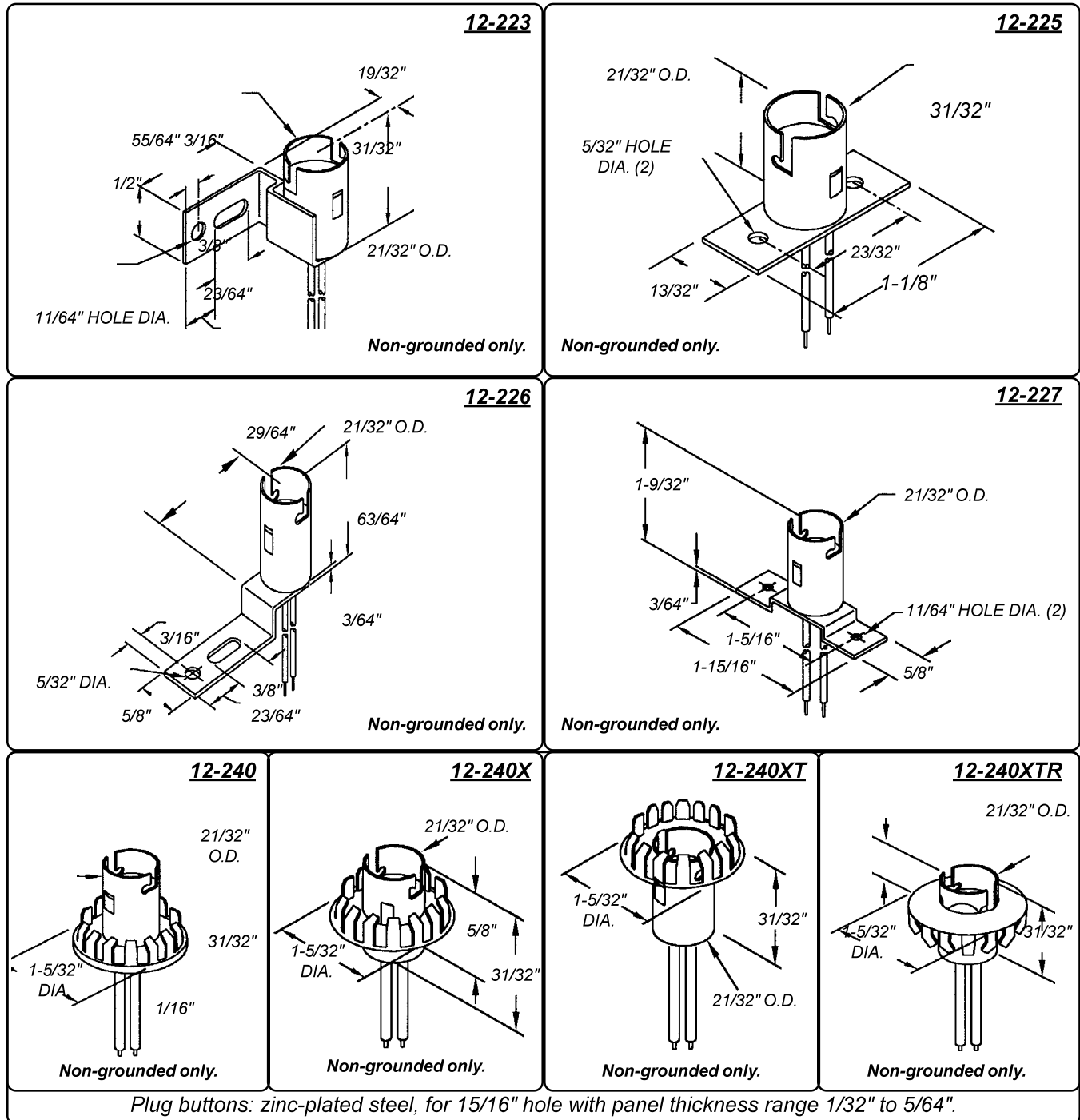
UL & CSA Listed

Maximum Rating: 75 Watts, 125 Volts

Zinc Plated Shell

Non-Grounded

6" Wire Leads



Double Contact Candelabra Bayonet

12 SERIES

UL & CSA Listed

Maximum Rating: 75 Watts, 125 Volts

Zinc Plated Shell

Non-Grounded

6" Wire Leads

<p>Non-grounded only. 12-240XTPL</p> <p>Plug button: natural nylon, for 15/16" hole. Panel thickness range 1/32" to 5/64". Maximum Rating: 30 Watts, 28 Volts.</p>	<p>Non-grounded only. 12-245</p>	<p>Non-grounded only. 12-255</p>
<p>Non-grounded only. 12-272</p> <p>For reversed bracket: 12-271.</p>	<p>12-PAR36-W</p> <p>Reflector units: vacuum metalized steel. Other available units: 12-PAR22-W (2-7/8" DIA.) 12-PAR18-W (2-13/32" DIA.) Non-grounded only.</p>	
<p>Non-grounded only. 12-275</p>	<p>12-212XP90-9</p> <p>Non-grounded only.</p>	